

NEO protective pads: Our specially engineered NEO pads protect your TV from unwanted marks and scratches and also act as an extra layer of audio insulation preventing resonance and vibration from your speaker system from affecting your TV.

Variable Tilt Mechanism: Avoid glare and reflections and find your perfect viewing angle simply and easily with your mounts variable tilt function.

Spirit Level: Comes with an integrated spirit level to make installation accurate and more convenient.

Safety pull cord lock: The mount locks solidly into place with spring clips for safety and peace of mind. Pull cords are supplied to open the clips allowing for easy removal of TV if required.

Multi colour design language: The new TV you just purchased is a work of art with or without a picture on the screen, Now your mount can be just as much a design feature as the TV its connected to!

5 Year Warranty: Our mounts are built to last. Each one comes with a 5 year warranty as standard.

Quality Construction: Made with the highest quality components and over a decade of experience.



Technical Specifications:

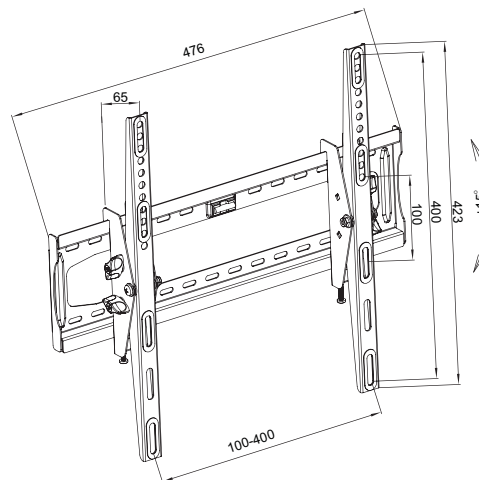
Max Load	Distance from wall (Folded)	Distance from wall (Extended)	Swivel Range	Tilt Range	No of Articulation Points	Mounting Pattern	VESA Compatible
60Kg/ 132lbs	65mm/ 2.6"	n/a n/a	n/a	+15°	0	Single Stud & Solid Wall	100x100 to 400x400



Packed image



Line drawing



All dimensions are in mm

Packaging Information:

Product Number	Description	Product Packaging		Outer Packaging		
		Type	Barcode	Type	Qty in Box	Barcode
LN2RPT400-RO	Tilting TV Wall Mount	Colour Gift Box	5015056593005	Brown Outer with Label	4	5015056544298

Weight & Dimensions:

Product		Net Weight	Product Box			Outer Box		
Extended	Folded		Dimensions	Gross Weight	Cubic	Dimensions	Gross Weight	Cubic
47.6 x 42.3 x 6.5 cm	n/a	1.74kg	49 x 15.2 x 7 cm	2.06kg	0.0052m ³	51.5 x 30 x 18.5 cm	8.74kg	0.0286m ³
18.74" x 16.65" x 2.56"	n/a	3.828lbs	19.29" x 5.98" x 2.76"	4.532lbs	0.1841ft ³	20.28" x 11.81" x 7.28"	19.228lbs	1.0094ft ³