



## TECHNICAL DATA SHEET: LE2TA200E-RO FULL MOTION TV WALL MOUNT

The Essentials Series is a range of **simple**, no-fuss **TV mounts** that offer **fully-featured**, easy to use **functionality** at price points that represent **excellent value for money**.

The range is carefully tailored to cover all **LCD, LED and Plasma TV mounting requirements**.

Our designs offer **reduced package size for improved shipping fills**, reducing your carbon footprint. The product packaging also offers easy **merchandising** with simple to shop communicative icons.

### Features:

- Triple arm motion for ultimate viewing flexibility and superior strength
- VESA extenders included for greater range of TV compatibility
- Tool free adjustment of motion

**23"-70"**   
58-178CM

  
**30KG**

**MAX.VESA**  
  
**400X400**

  
**180°**



### Technical Specifications:

Max Load	Distance from wall (Folded)	Distance from wall (Extended)	Swivel Range	Tilt Range	No of Articulation Points	Mounting Pattern	VESA Compatible
30Kg/ 66lbs	71mm/ 2.8"	315 12.4	+/-90°	+15/-5°	4	Single Stud & Solid Wall	75x75 to 400x400



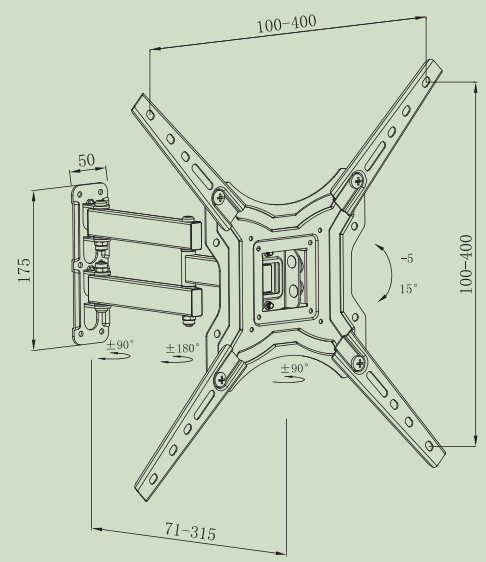


## DIMENSIONS & SPECIFICATIONS SHEET: LE2TA200E-RO FULL MOTION TV WALL MOUNT

Packed image



Line drawing



All dimensions are in mm

### Packaging Information:

Product Number	Description	Product Packaging		Outer Packaging		
		Type	Barcode	Type	Qty in Box	Barcode
LE2TA200E-RO	Full Motion TV Wall Mount	Colour Gift Box	5015056 538334	Brown Outer with Label	10	05015056 540511

### Weight & Dimensions:

Product			Product Box			Outer Box		
Extended	Folded	Net Weight	Dimensions	Gross Weight	Cubic	Dimensions	Gross Weight	Cubic
44.6 x 44.6 x 31.5 cm	44.6 x 44.6 x 7.1 cm	1.930kg	25.5 x 23.5 x 7 cm	0.18kg	0.0042m <sup>3</sup>	50.5 x 38.8 x 30.3 cm	21.57kg	0.0594m <sup>3</sup>
17.56" x 17.56" x 12.40"	17.56" x 17.56" x 2.80"	4.246lbs	10.04" x 9.25" x 2.76"	0.4lbs	0.1481ft <sup>3</sup>	19.88" x 15.28" x 11.93"	47.454lbs	2.0966ft <sup>3</sup>