



TECHNICAL DATA SHEET: LE2SA200-RO TILT & TURN TV WALL MOUNT

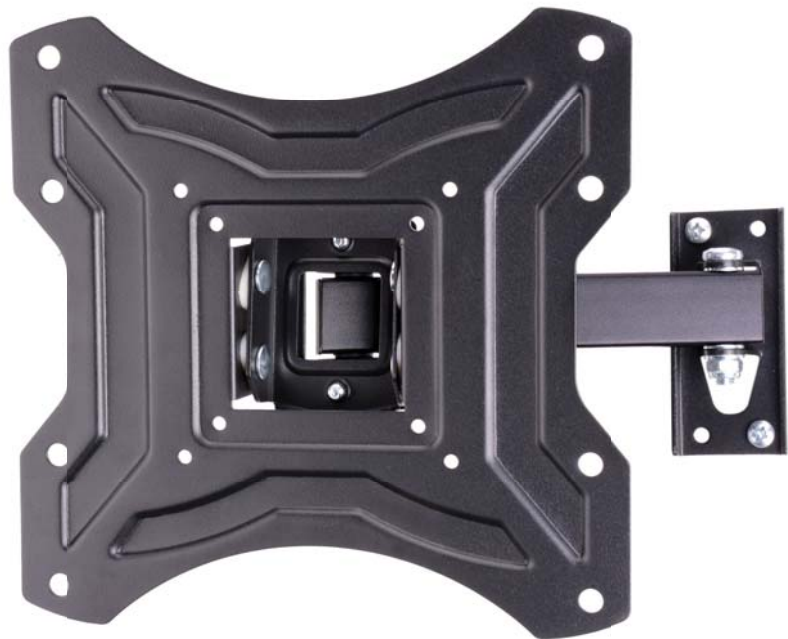
The Essentials Series is a range of **simple**, no-fuss **TV mounts** that offer **fully-featured**, easy to use **functionality** at price points that represent **excellent value for money**.

The range is carefully tailored to cover all **LCD, LED and Plasma TV mounting requirements**.

Our designs offer **reduced package size for improved shipping fills**, reducing your carbon footprint. The product packaging also offers easy **merchandising** with simple to shop communicative icons.

Features:

- Single arm motion for more flexible viewing
- Easy slide on installation
- Tool free adjustment of tilt action



Technical Specifications:

Max Load	Distance from wall (Folded)	Distance from wall (Extended)	Swivel Range	Tilt Range	No of Articulation Points	Mounting Pattern	VESA Compatible
25Kg/ 55lbs	62mm/ 2.4"	207 8.1	+/-90°	+15/-5°	3	Single Stud & Solid Wall	75x75 to 200x200



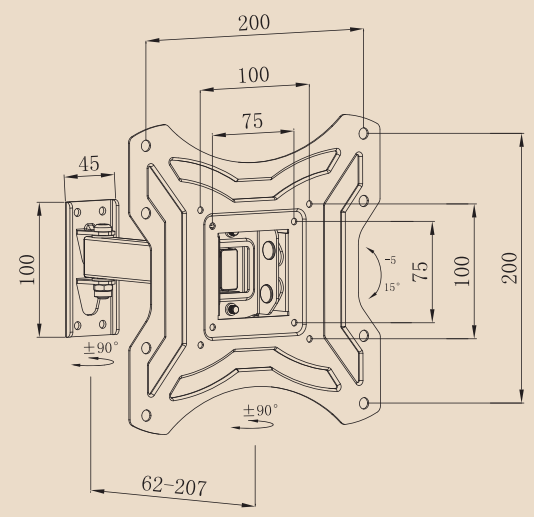


DIMENSIONS & SPECIFICATIONS SHEET: LE2SA200-RO TILT & TURN TV WALL MOUNT

Packed image



Line drawing



All dimensions are in mm

Packaging Information:

Product Number	Description	Product Packaging		Outer Packaging		
		Type	Barcode	Type	Qty in Box	Barcode
LE2SA200-RO	Turn & Tilt TV Wall Mount	Colour Gift Box	5015056 538273	Brown Outer with Label	8	05015056 540450

Weight & Dimensions:

Product			Product Box			Outer Box		
Extended	Folded	Net Weight	Dimensions	Gross Weight	Cubic	Dimensions	Gross Weight	Cubic
23 x 23 x 20.7 cm	28.2 x 23 x 6.2 cm	1.12kg	29.5 x 23.5 x 5.5 cm	0.18kg	0.0038m ³	48.5 x 30.5 x 27.5 cm	11.01kg	0.0407m ³
9.06" x 9.06" x 8.15"	11.10" x 9.06" x 2.44"	2.464lbs	11.61" x 9.25" x 2.17"	0.4lbs	0.1347ft ³	19.09" x 12.01" x 10.83"	24.002lbs	1.4366ft ³