




TECHNICAL DATA SHEET: LE2RTA600-RO FULL MOTION TV WALL MOUNT

50"-85" 
127-216CM


40KG

MAX.VESA

600X400


180°

The Essentials Series is a range of **simple**, no-fuss **TV mounts** that offer **fully-featured**, easy to use **functionality** at price points that represent **excellent value for money**.

The range is carefully tailored to cover all **LCD, LED and Plasma TV mounting requirements**.

Our designs offer **reduced package size for improved shipping fills**, reducing your carbon footprint. The product packaging also offers easy **merchandising** with simple to shop communicative icons.

Features:

- Triple arm motion for ultimate viewing flexibility and superior strength
- Tool free adjustment of tilt action
- Tool Large TV Mount rail for added strength and compatibility with large TV's



Technical Specifications:

Max Load	Distance from wall (Folded)	Distance from wall (Extended)	Swivel Range	Tilt Range	No of Articulation Points	Mounting Pattern	VESA Compatible
40Kg/ 88lbs	100mm/ 3.9"	465 18.3	+/-90°	+18/-8°	4	Double Stud & Solid Wall	100x100 to 600x400



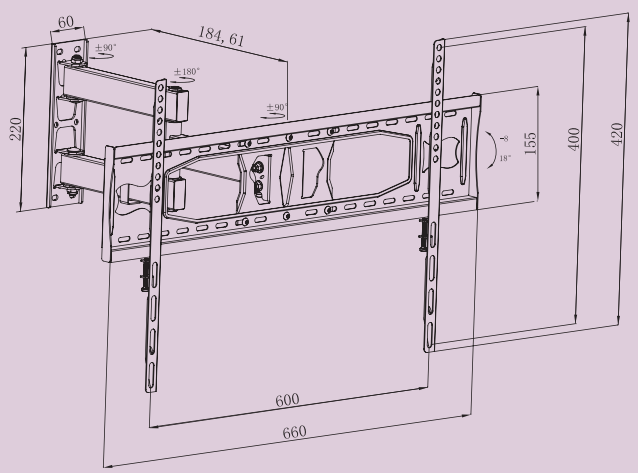


DIMENSIONS & SPECIFICATIONS SHEET: LE2RTA600-RO FULL MOTION TV WALL MOUNT

Packed image



Line drawing



All dimensions are in mm

Packaging Information:

Product Number	Description	Product Packaging		Outer Packaging		
		Type	Barcode	Type	Qty in Box	Barcode
LE2RTA600-RO	Full Motion TV Wall Mount	Colour Gift Box	5015056 538310	Brown Outer with Label	2	05015056 540498

Weight & Dimensions:

Product			Product Box			Outer Box		
Extended	Folded	Net Weight	Dimensions	Gross Weight	Cubic	Dimensions	Gross Weight	Cubic
66 x 42 x 46.5 cm	66 x 42 x 10 cm	3.330kg	67.5 x 22.5 x 9 cm	0.38kg	0.0137m ³	69 x 24 x 20 cm	7.94kg	0.0331m ³
25.98" x 16.54" x 18.31"	25.98" x 16.54" x 3.94"	7.326lbs	26.57" x 8.86" x 3.54"	0.84lbs	0.4827ft ³	27.17" x 9.45" x 7.87"	17.468lbs	1.1696ft ³